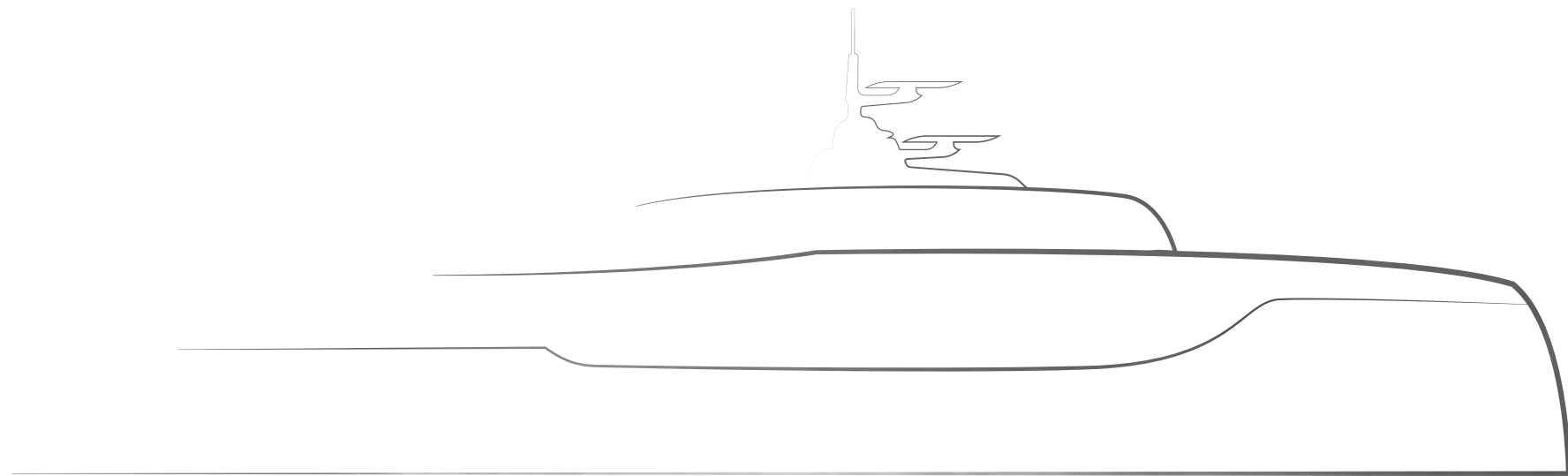


The **NEXT-GEN** Superyachts

40M Sunreef Explorer



The **NEXT-GEN** Superyachts

40M Sunreef Explorer



Explorer catamarans by Sunreef Yachts are versatile luxury crafts dedicated to discovering new horizons. Their modern twin-hull design provides a unique combination of seaworthiness, redundancy and extreme range for extended voyages. With shallow draft, unmatched storage capacity and vast entertainment areas, they are the next generation of explorer superyachts.





The 40M Sunreef Explorer was designed to achieve outstanding self-sufficiency for transoceanic navigation plans. The yacht's concept incorporates voluminous cold and dry storage for provisions as well as smart solutions for waste management. The twin-hull architecture of the 40M Sunreef Explorer provides maximum redundancy with all the yachts' main systems doubled.

Thanks to her expansive beam, the 40M Sunreef Explorer boasts an aft deck design of imposing proportions. The customizable aft is a multi-purpose platform for storing and launching the yacht's tenders, personal watercrafts and a fleet of water toys. With the yacht's hydraulic platform lowered, guests can enjoy a full-beam beach club area creating perfect conditions for lounging, diving and fishing.





With her innovative configuration incorporating vast living areas spread across three decks, the 40M Sunreef Explorer unlocks a new potential for living and entertainment at sea. The interiors offer infinite options for customization, offering space for a wellness and fitness area, a library or cinema room along with generous guest accommodation. Alfresco relaxation areas include a large sun lounge with a spa pool surrounded by oversized sunpads and a bar as well as a vast bow terrace.

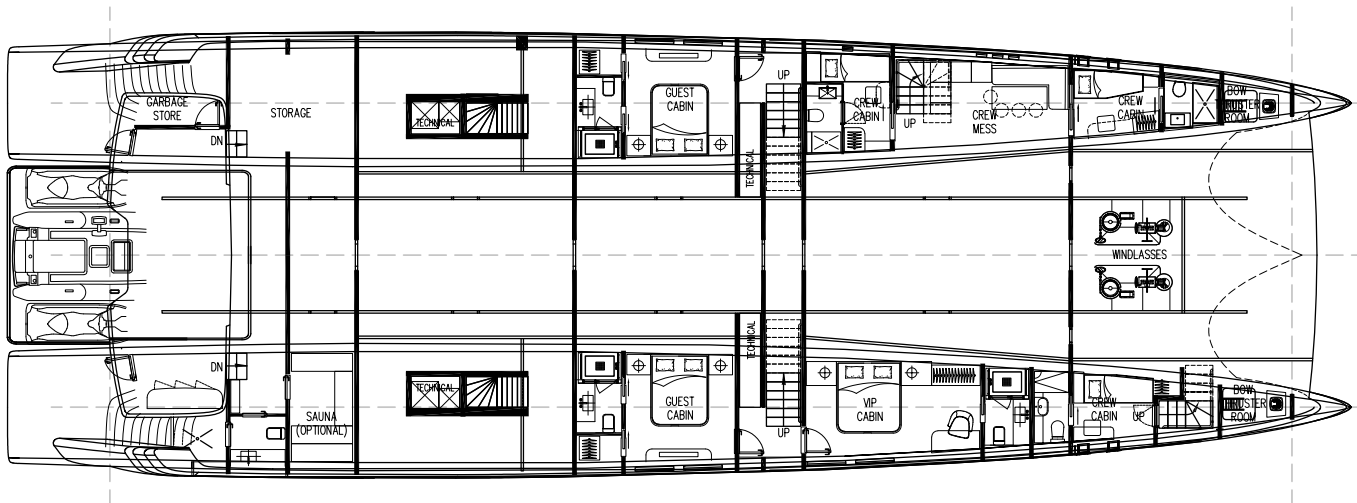
”

Curiosity is inherent to human nature. It can take us across borders, mountains and oceans. Explorer yachts are the true expression of that curiosity we all share and I believe catamarans provide an amazingly safe, spacious and seaworthy platform for long, inspiring journeys.

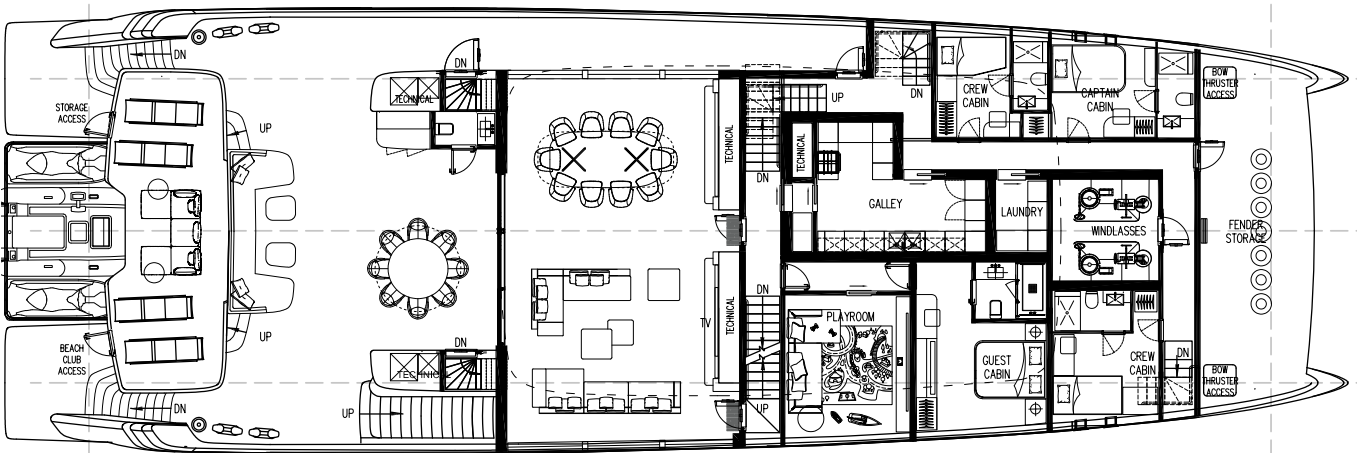
Francis Lapp - Founder and President of Sunreef Yachts



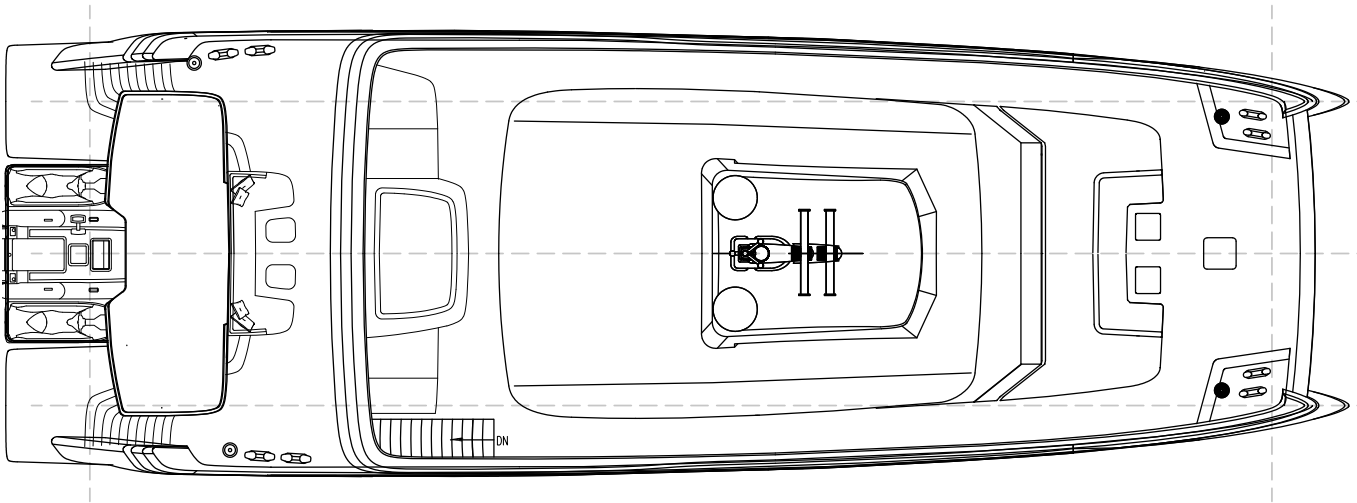
LOWER DECK



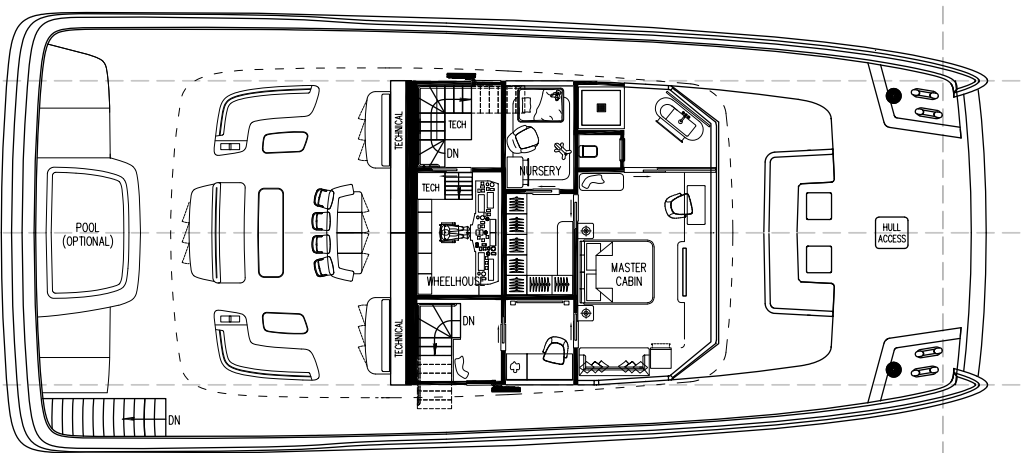
MAIN DECK



BRIDGE DECK



UPPER VIEW



SPECIFICATION	
40M Sunreef Explorer	
LENGTH OVERALL	38m / 124.7ft
BREADTH OVERALL	13.34m / 43.8ft
MAIN ENGINES	2x 1800 HP hybrid option available
GENERATORS	2x 50kW
TOTAL LIVING SPACE	794m ² / 85456.5ft ²
GUESTS	12 + crew
CONSTRUCTION	Composite
NAVAL ARCHITECTURE	Sunreef Yachts
INTERIOR DESIGN	

KEY FEATURES & FACTS
modern motoryacht hull
393m ² of interior living space
401m ² of exterior living space
custom layout and design
customizable aft deck with platform
maximum redundancy



Sunreef Yachts Charter
+33 970 447 052
+48 58 776 23 16

Sunreef Yachts Sales Office
+48 797 842 754
+48 693 920 339
RU: +48 693 920 325
Middle East & China: +48 516 149 443

charter@sunreef-charter.com
www.sunreef-charter.com

info@sunreef-yachts.com
www.sunreef-yachts.com

broker's stamp

This document is for information purposes only, does not constitute an offer within the meaning of the Polish Civil Code and in no way shall be interpreted or construed to create any warranties of any kind either express or implied, regarding the information contained herein.

